

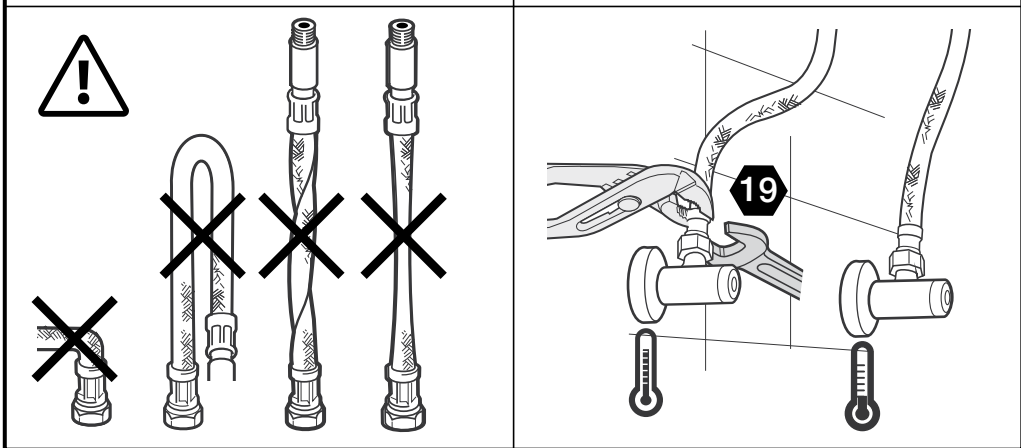
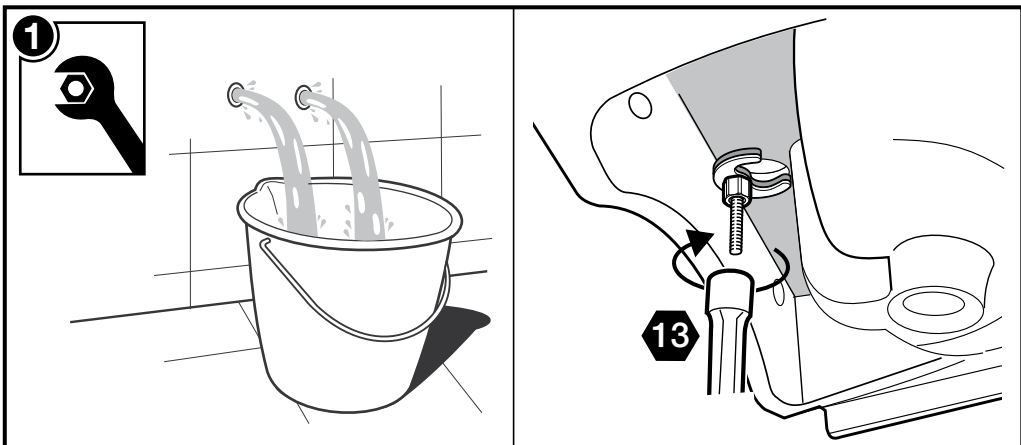















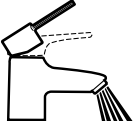
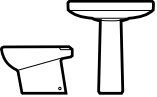
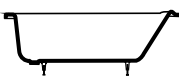
**Roca**

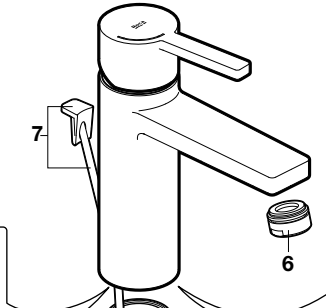
**NAIA**







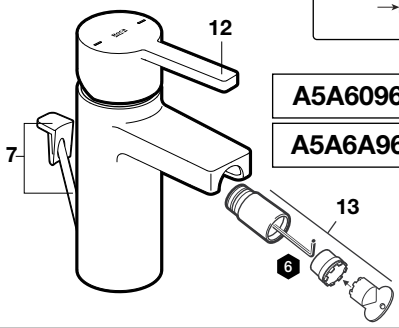
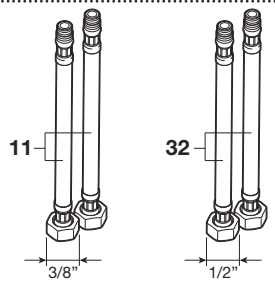
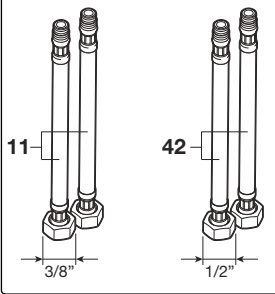
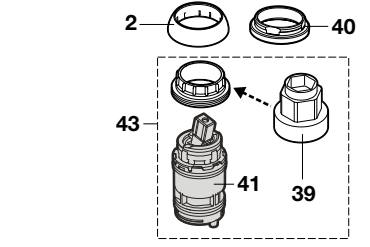
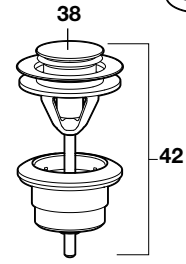
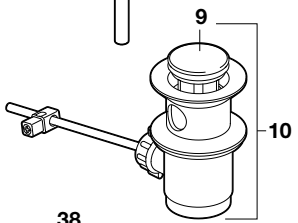
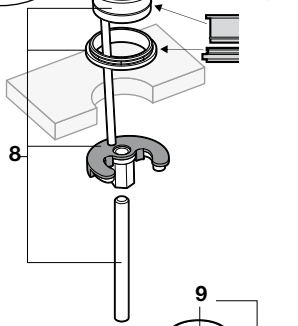
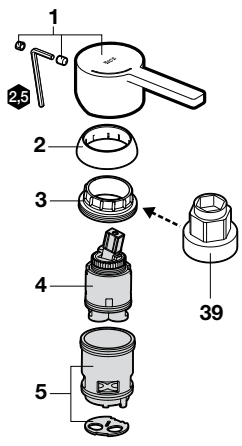
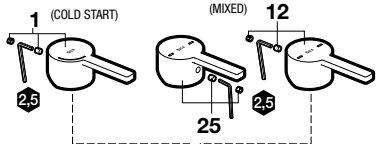
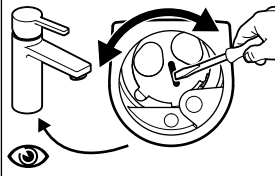
 <b>P</b> 	P bar	 MAX 10	
 <b>P</b> 	P bar	MIN 1  5 MAX	 3 2 
  <b>T</b>	°C	 80 MAX.	 65 50 
 <b>Q</b> (3 bar)	l/min	 5	 20



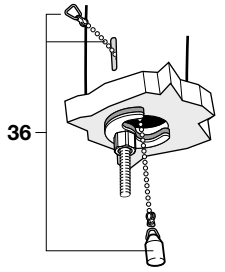
- A5A3096**
- A5A3196**
- A5A3296**
- A5A3A96**

- A5A3096**
- A5A3196**
- A5A3296**
- A5A3A96**

- A5A3096..M**
- A5A3296..M**



- A5A6096**
- A5A6A96**

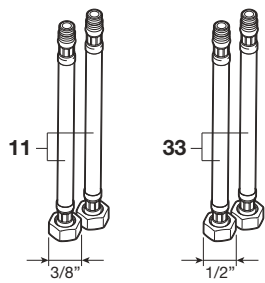
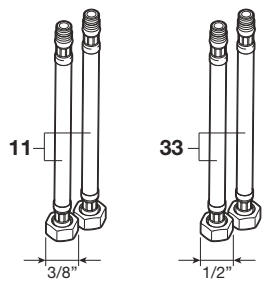
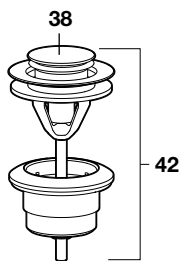
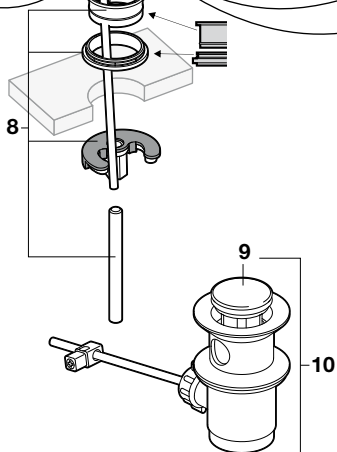
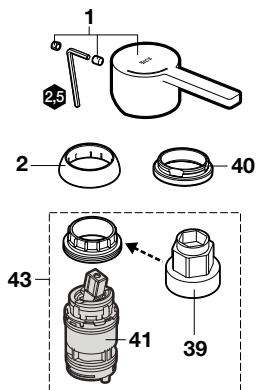
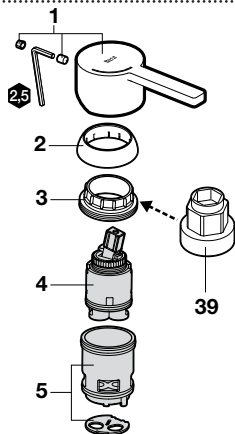
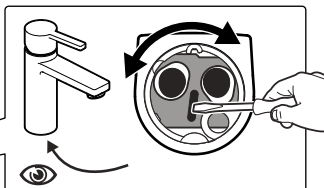
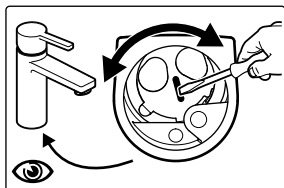
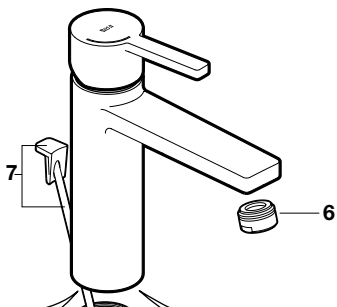


3



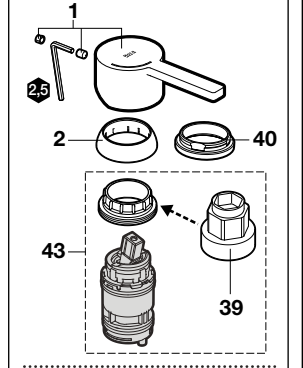
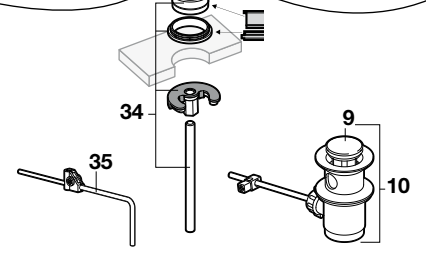
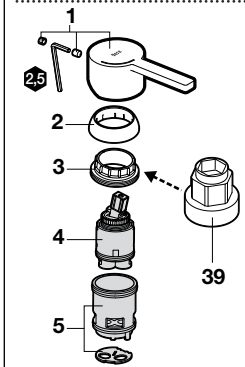
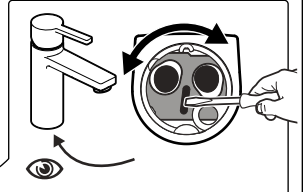
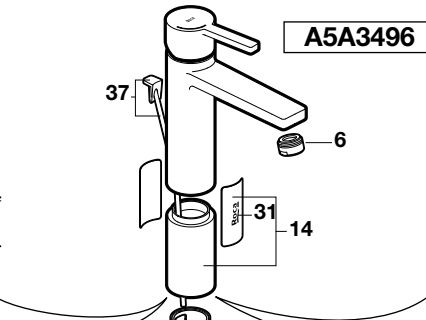
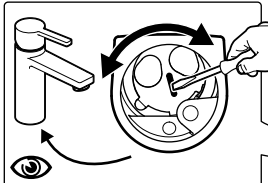
A5A3396

A5A3996



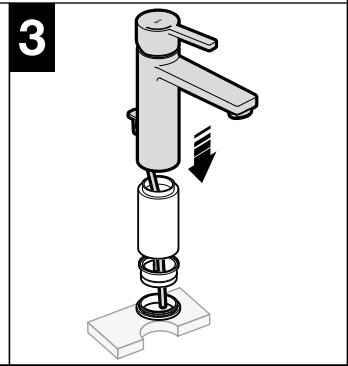
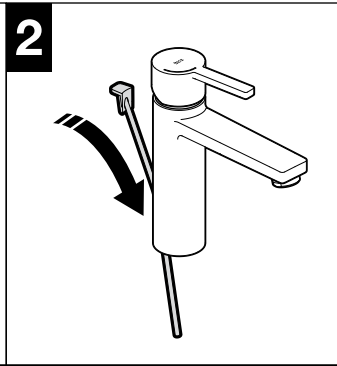
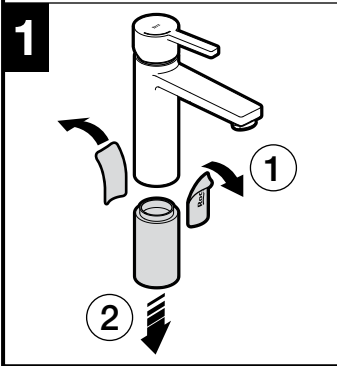
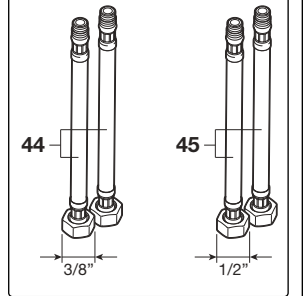
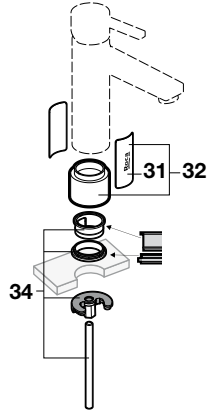
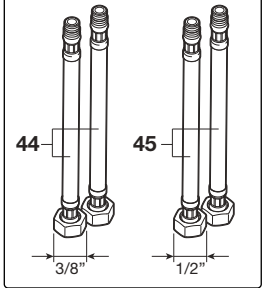


A5A3496



A5A3D96

A5A3796  
A5A3B96



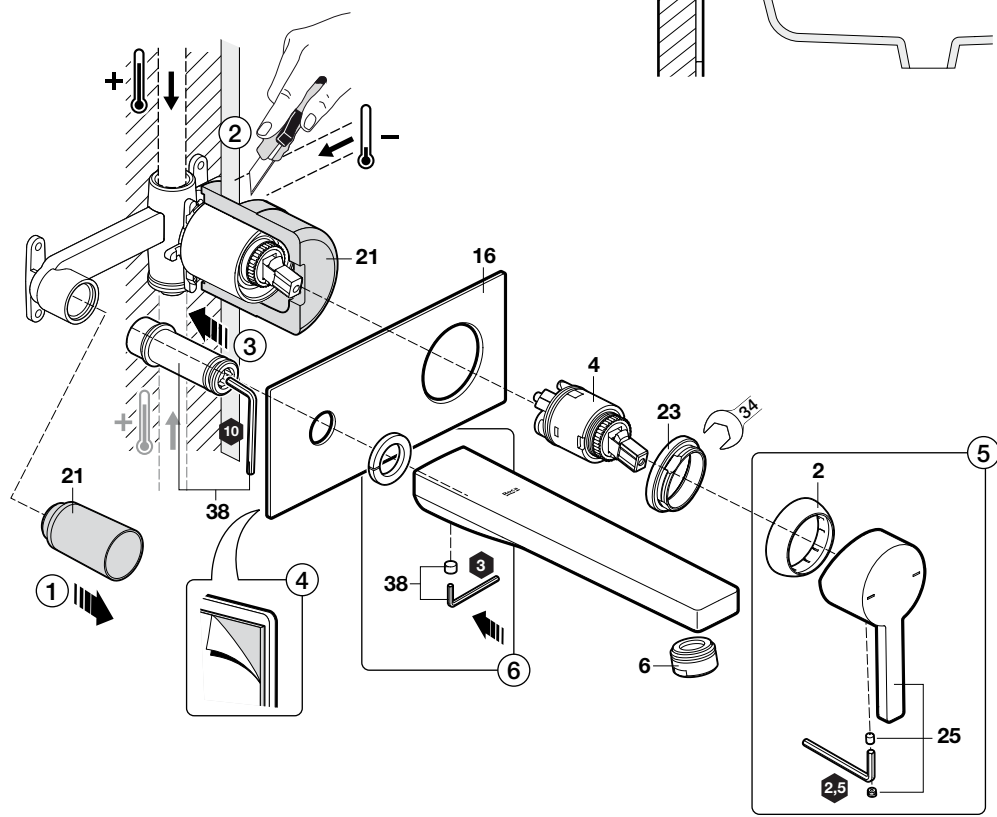
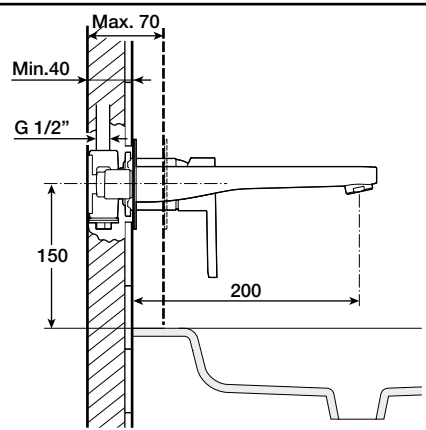
5



A5252206

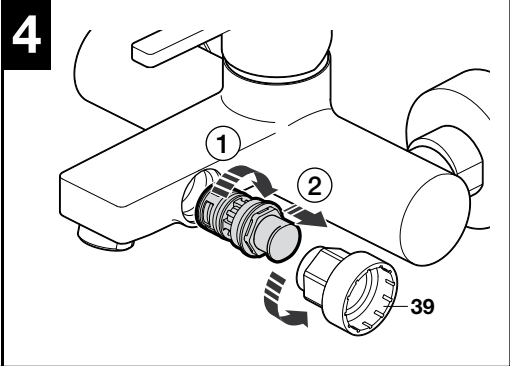
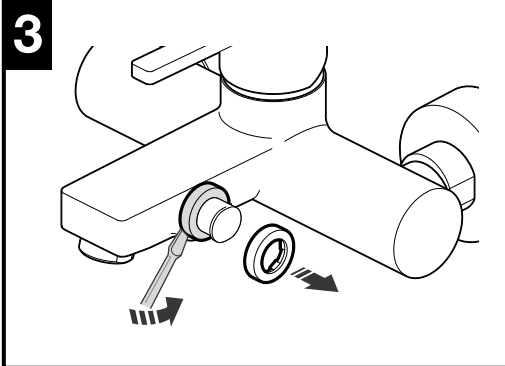
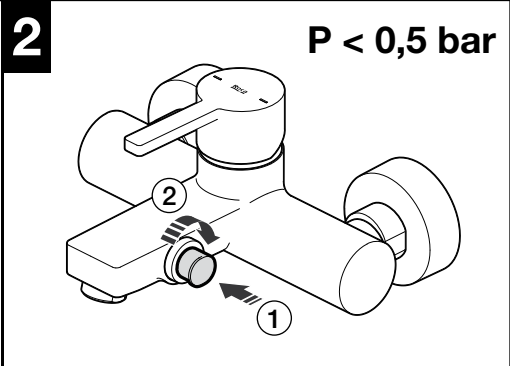
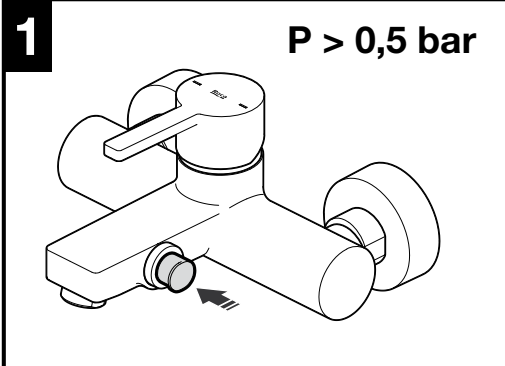
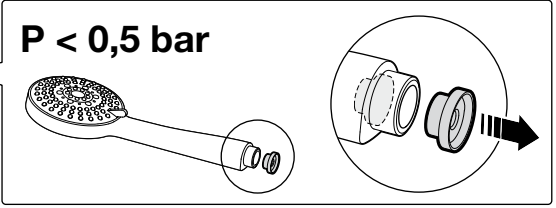
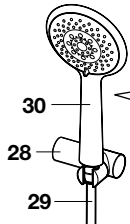
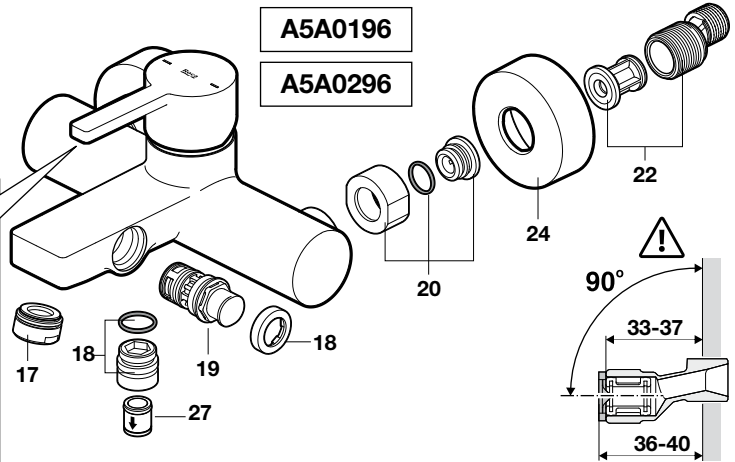
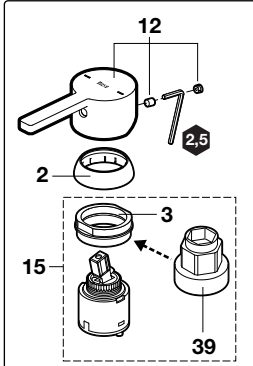
+

A5A3596





A5A0196  
A5A0296

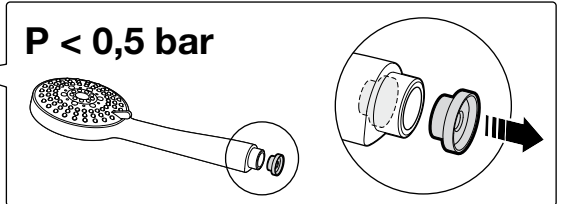
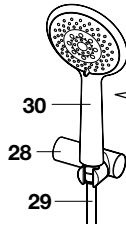
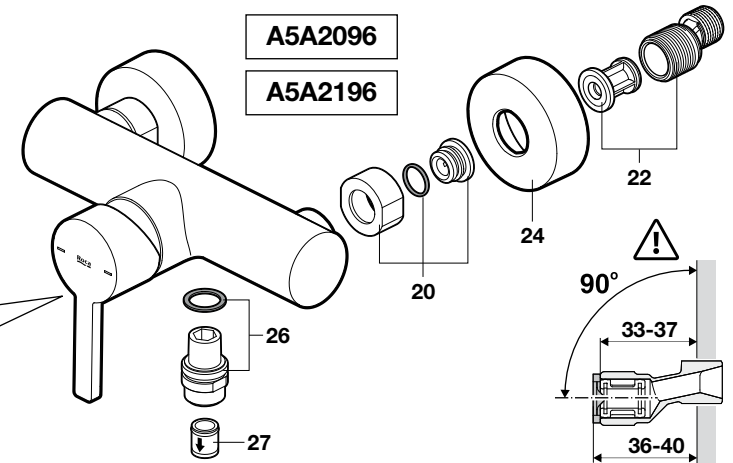
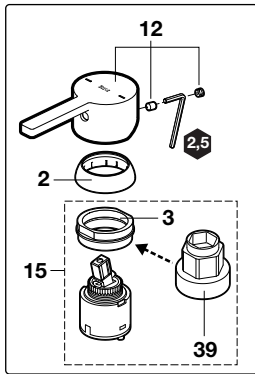




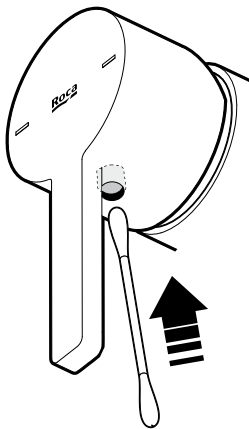


A5A2096

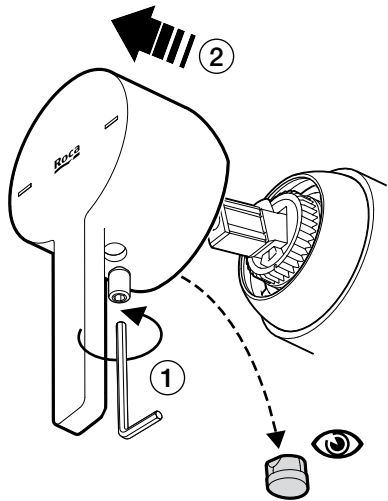
A5A2196



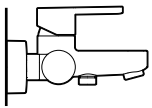
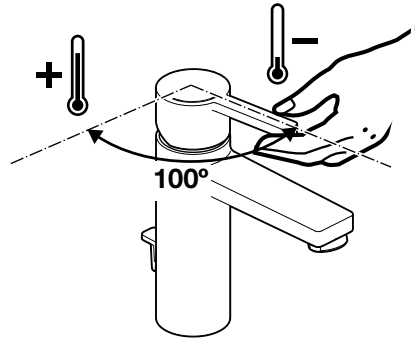
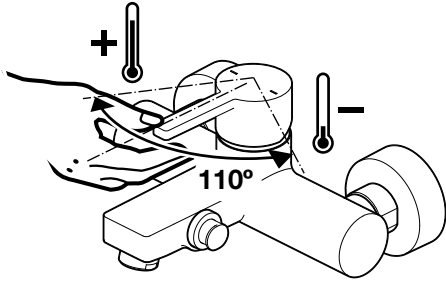
1



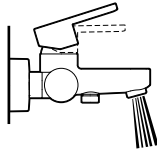
2



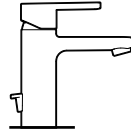
8



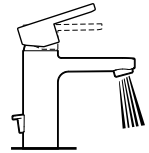
0%



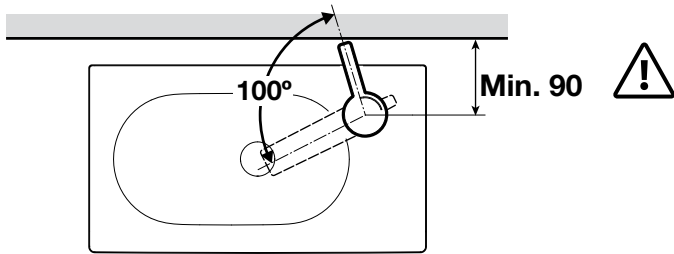
100%



0%



100%



1	- AG01365..R	
2	- AG00853..R	
3	- A525023507	
4	- AG0173300R	
5	- AG0096307R	
6	- AG00466..R	
7	- A525020600	
8	- AG0136603R	
9	- AG0096200R	
10	- AG0075300R	
11	- AG0096409R	L-470
12	- AG01269..R	
13	- A525003507	CROMO / CHROME
	- AG01966..R	
14	- AG01368..R	
15	- AG0110607R	

16	- AG01372..R	
17	- A525003600	CROMO / CHROME
	AG02128..R	
18	- A525024200	CROMO / CHROME
	- AG02130..R	
19	- A525023600	CROMO / CHROME
	- AG02129..R	
20	- AG02131..R	
21	- AG0001907R	
22	- AG0103908R	
23	- AG0142100R	
24	- AG01168..R	
25	- AG01370..R	
26	- AG00368..R	
27	- A525005507	
28	- AG0003700R	

29	- A525009800	
30	- A5B1B03..0	
31	- AG0117207R	
32	- AG0136700R	
33	- AG0126009R	L-600
34	- AG0136903R	
35	- AG0033300R	
36	- A525004600	
37	- AG0117300R	
38	- AG0155000R	
39	- A525005407	
40	- AG0163900R	
41	- AG0159300R	
42	- A5054009..	
43	- AG0200700R	
44	- AG0096509R	L-600
45	- AG0125909R	L-600

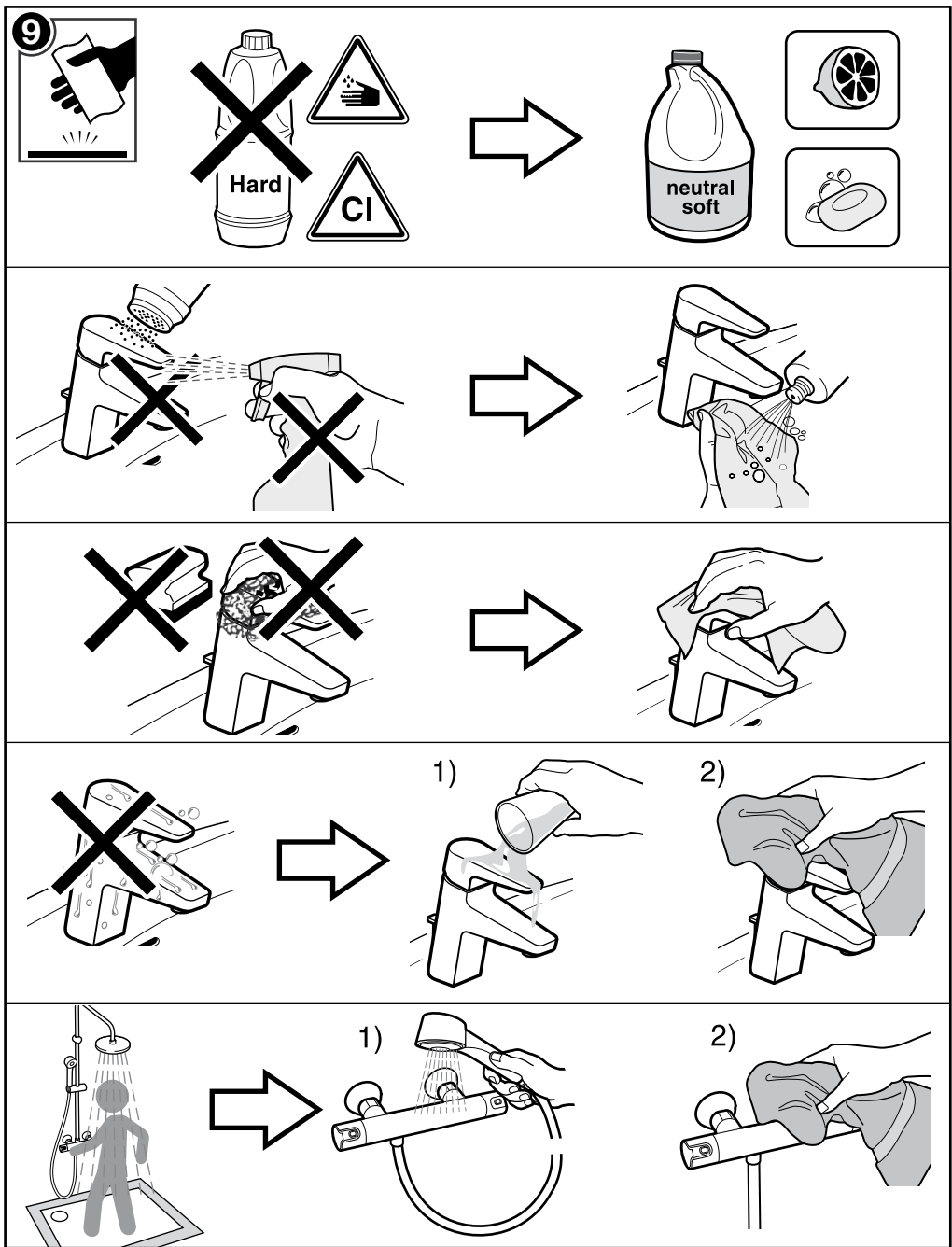
CÓDIGO / CODE

000000 0

ACABADO / FINISH



www.roca.net



AS23097 407p



Roca Sanitario, S.A.  
 Avda. Diagonal, 513  
 08029 Barcelona  
 SPAIN  
 www.roca.com

933 LÍNEA DE ATENCIÓN  
 661 AL CONSUMIDOR  
 266 ESPAÑA

SERVICIO TÉCNICO  
 ESPAÑA

productsupport.rs@roca.net  
 soporteproducto.rs@roca.net